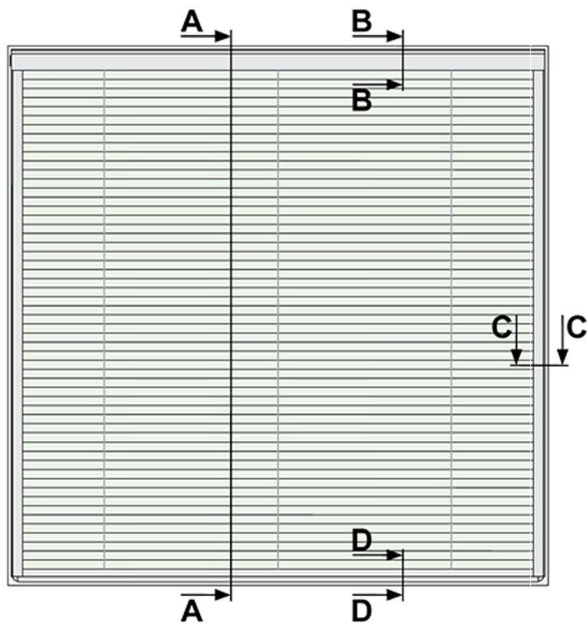


# SwiftGlide Integral Blinds

Manufactured exclusively by Integral blinds Ltd  
 Automated Electric Tilt + Raise \ Lower (Product 1253)  
 Slat Width 16mm Aluminium Profiles

Tele: 0800 610 2 610  
 Exhall  
 UK  
 sales@integralblinds.com

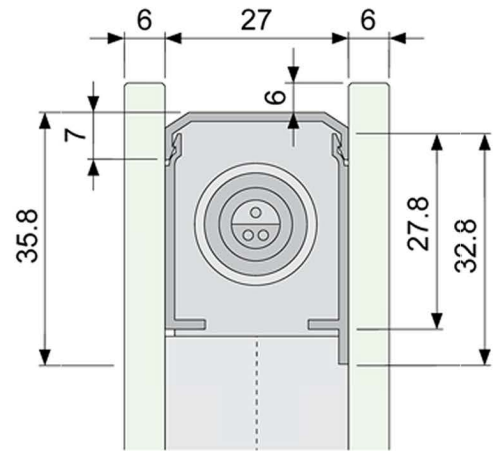
www.integralblinds.com



Section A-A



Section B-B



This electric automated system can either be controlled by switch or remote control.

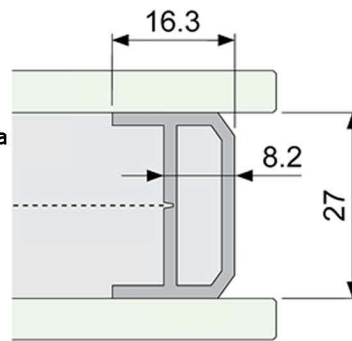
Product 1253 is an electric automated fully functional Tilt + Raise \ Lower integral blind system made up of ultra fine powder coat painted Venetian slats.

Comprising an ultra low profile design along with ultra quiet motors.

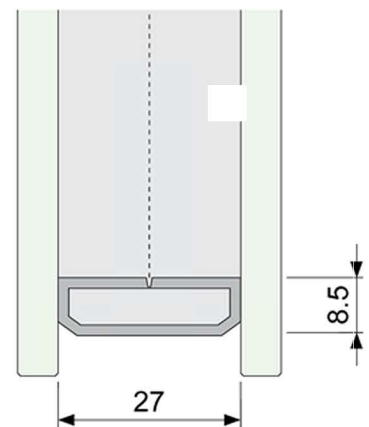
The Aluminium perimeter Spacer is 27mm creating a sealed unit cavity of 27mm and Sealed Units of 35mm ie: 4-27-4 or 39mm if 6-27-6.

Side Profiles are either anodised aluminium or Black.

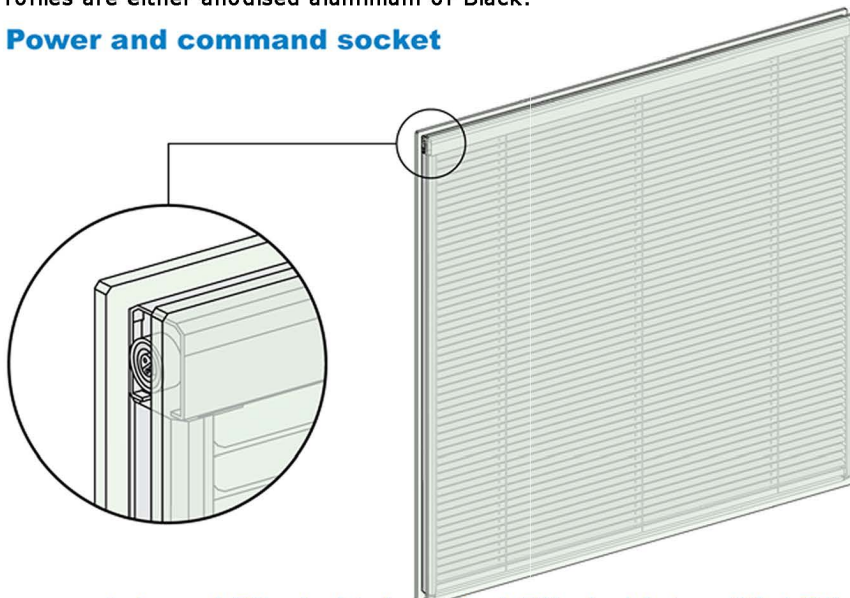
Section C-C



Section D-D



## Power and command socket



Our Automated Electric Integral Blinds are sealed into high performance double or triple glazed sealed units that can use different glass options including Planitherm, Self Clean - Solar Control, Fire Rated from 30 to 120 minute and Acoustic Glass up to 55DB (rW).

We are the only dedicated integral blind system manufacturers in the UK supplying BSI Tested & Accredited Integral Blind Double Glazed Sealed Units.

Our BSI Certification Number is 2370-8193843.

Integral Blinds | Integrated Blinds | Interstitial Blinds | Between Glass Blinds

Sealed Unit Blinds in between Double Glazing